

NATIONAL CENTRE FOR SUSTAINABLE COASTAL MANAGEMENT
 Ministry of Environment, Forest and Climate Change
 Koodal Building, Anna University Campus
 Chennai – 600025

Technical Specifications for Container Mobile Laboratory 1No

ISO Modified Container Quote – Brand New 20 Feet Length – Laboratory Cabin Standard

SIZE: 20' GP: 20' X 8' X 8'.5" (L X B X H)

Side Pannel - 2.1 mm Thickness

Front Pannel - 2.2 mm Thickness

Door Pannel - 2.6 mm Thickness

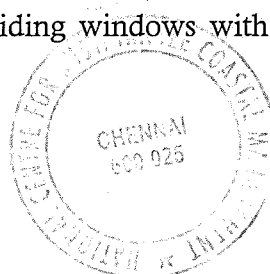
Roof Pannel - 2.4 mm Thickness

20' GP Container		Millimetres	Feet
Inside Dimensions	Length	5885	19'4"
	Width	2350	7'8"
	Height	2403	7'10"
Door Opening	Width	2338	7'8"
	Height	2292	7'6"
		Kilograms	Pounds
Weight	Max. Gross	24000	52910
	Tare	2150	4740
	Max. Payload	21850	48170
		Cube Metres	Cube Feet
Capacity		33,150	1170

SCOPE OF WORK:-

Entire panel roof fully insulated with thermacol poly – oil with 6mm high density commercial MDF – wood paneled throughout interior

- 4 nos. – 30 x 24 inches, 5 mm glazed sliding windows with finger press lock & rain gutters closable from inside.



- 1 no – 7' x 3' main outer door fabricated by 40 mm square tube with 3 mm thickness metal sheet for complete safety.
- 1 no – 7' x 3' main inner aluminium semi glass door with door closer and modular lock to maintain air conditioning.
- 1 no – 2 tonn split a/c
- 1 no – over head file cabinet (20' 1)
- 3 nos. – work station table (3' 1)
- 3 nos.- table with epoxy top (3' 1)
- 1 no – SS sink with tap
- 14 nos. – 5 / 15 amps multi-socket and switches
- 1 no - 10 kv Self start silent genset
- Rolling chairs (6nos.)
- Provision for solar paneling (foldable) on top of container (for approx. 100sq ft).
- High quality concealed wiring system with sufficient power points/switches , 20 amps tripper for a/c, 4 nos. 5 amps pin sockets with switches for computer, fax printer etc provided in two sides bottom of windows , 2 nos. double fitting tube for good illumination.
- Anti-skid tile flooring will be done to give smooth and rich look.
- Input electrical power connection socket, a/c power socket to be provided on the outside panel covered with a metal db box.
- After completion of fabrication work the container should be painted with marine painting system for longer life.
- Sun shade (foldable) for windows.
- Clamped stand on the side of the container to hold the water tank.
- 100 litres back up – small water tank.
- Provision for external AC power socket
- Provision for external water supply.
- Epoxy/ Teflon workbench coating should be provided.
- Acid Resistant Laboratory Sinks should be provided.
- Overhead cupboard for either side of the container.
- NCSCM logo should be painted on the front side of the container.
- Exterior of the container should be painted in aqua blue colour paint.
- Slot for the Genset with closure should be provided.

Hardware:

- High quality locks to be used for doors.
- High quality door closers to be used for durability



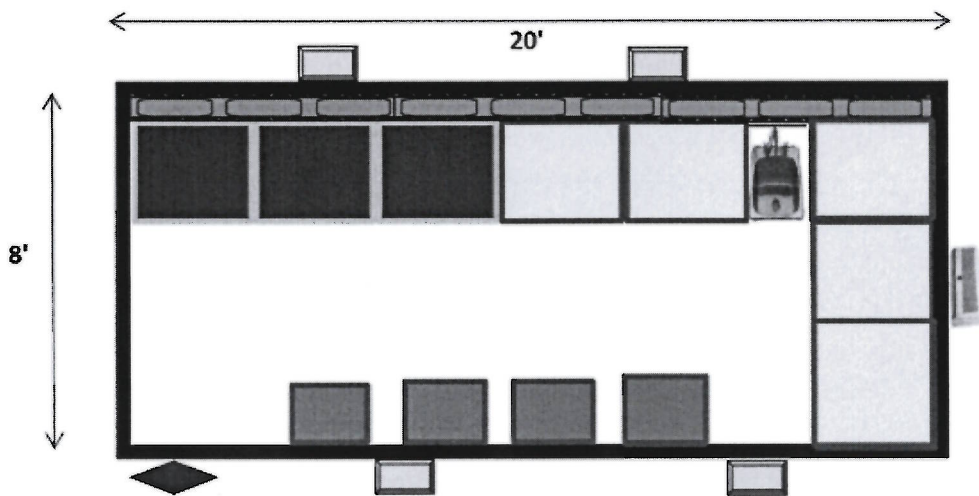
Electricals:






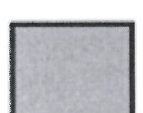


- ISO-branded wires are to be used
- High quality legrand mcb breakers to be used
- Branded Romo switches are to be used for electrical points
- LED lamps should be provided.

Warranty :- 3 years for all Equipment including spares.

Drawing for mobile containers

20' GP - Mobile Container Lab



- | | | | |
|---|---|---|--|
|  | Main Door - 1 no. |  | Over head file cabinet (20' L) - 1 no. |
|  | Windows - 4 nos. |  | Wooden Table (3' x 2') - 3 nos. |
|  | 2 Tonn Split AC. |  | Wooden Table With Epoxy Top (3' x 3') - 3 nos. |
|  | SS Sink - 1 no. | | |
|  | SS SinFloor Mounted Instruments - 4nos. | | |



